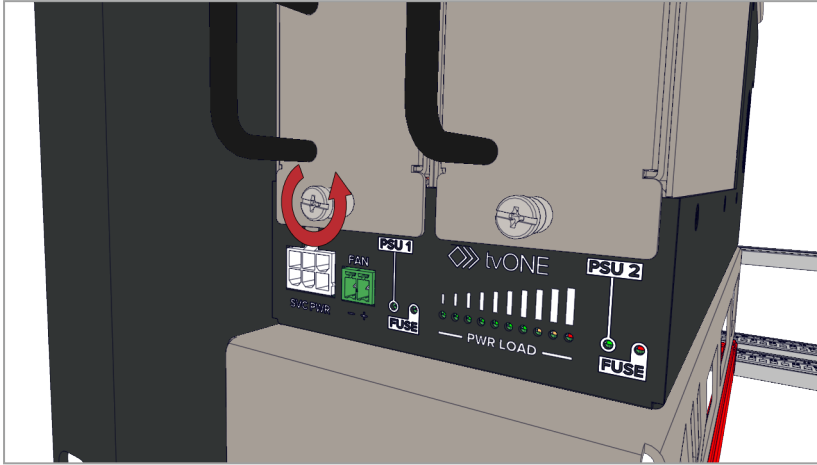


MNL-1RK-PSU-HSWP Installation Guide V1.10

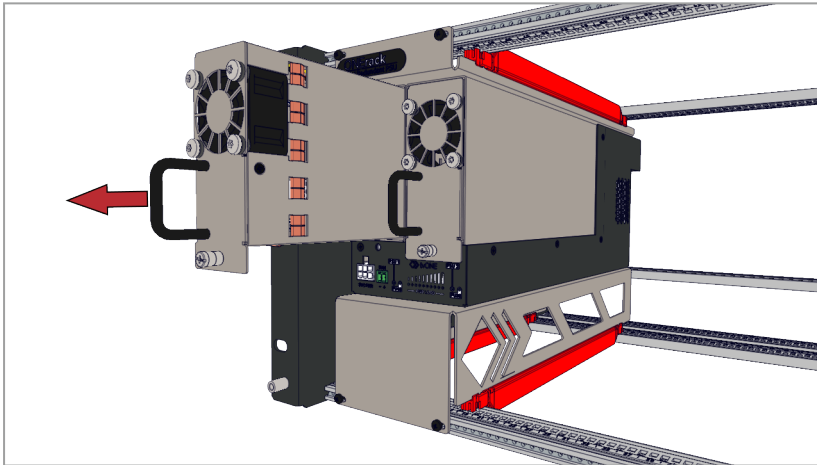
You can replace each of the power units in your dual-redundant PSU during operation, with no need to power off.

Replace the power units one at a time.

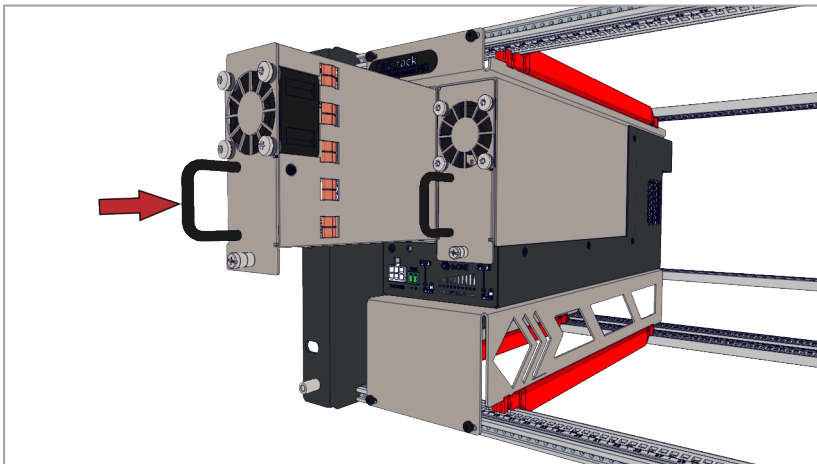
1. Unscrew the thumbscrew.



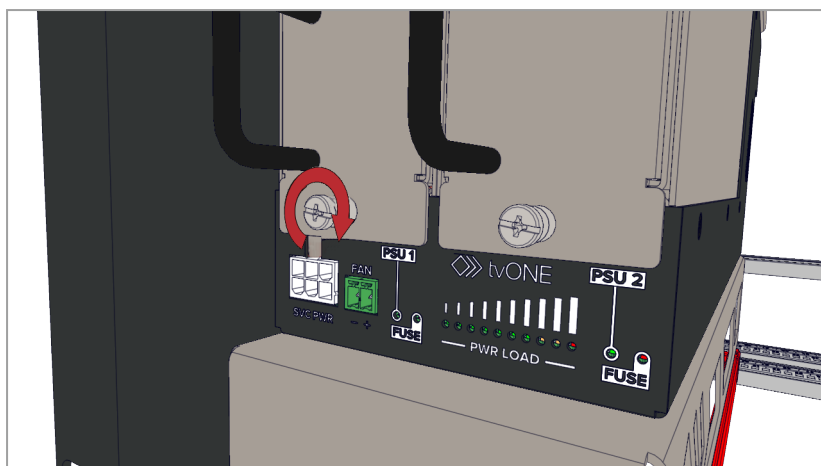
2. Use the handle to pull the power unit toward you and out of the dual-redundant PSU.



3. Slide the new power unit firmly into the dual-redundant PSU.



4. Tighten the thumbscrew.



Contact us

🌐 tvone.com

✉ info@tvone.com

✉ Support NCSA: tech.usa@tvone.com

✉ Support EMEA: tech.europe@tvone.com

✉ Support Asia: tech.asia@tvone.com

Information in this document is subject to change without notice. No part of this publication may be reproduced, stored in a retrieval system, or transmitted in any form or any means electronic or mechanical, including photocopying and recording for any purpose other than the purchaser's personal use without the written permission of tvONE.

Copyright © 2019 tvONE™. All rights reserved.

Registered in the U.S. Patent and Trademark Office.