

CALICO | PRO

VIDEO PROCESSOR

POWERING YOUR
VISUAL JOURNEY
PRECISION WITH
EVERY PIXEL

APPLICATION BROCHURE



POWERING YOUR VISUAL JOURNEY PRECISION WITH EVERY PIXEL

CALICO PRO is tvONE's premiere video processor that delivers impeccable, low-latency, flawless performance across all LED setups with virtually limitless possibilities.

Featuring a cost-effective design, CALICO's fifth generation processing engine ensures enhanced image fidelity through its unique 10-bit video processing, providing superior 4:4:4 color depth for flawless visuals. It also includes HDR Management for seamless standard conversion.

CALICO PRO has HDMI 2.0 inputs and outputs with optional modularity for IP Streams, Broadcast, and discrete audio. Native resolutions come as standard, ensuring compatibility now and in the future.



TECH TALKS

CALICO PRO FEATURES



ENDLESS LAYERS

More windows than you will ever need.



LOW LATENCY

From content to display in typically one frame.



10-BIT COLOR

End-to-end 4:4:4 processing.



ADVANCED CROPPING

Create multiple crops from any source.



ONBOARD MEDIA STORE

Images and templates.



LABELING ENGINE

Powerful labeling engine.



LUMA KEYING

Easily add logos and graphic elements.



CANVAS WATCH

Monitor any canvas element.



PACKAGED OUTPUTS

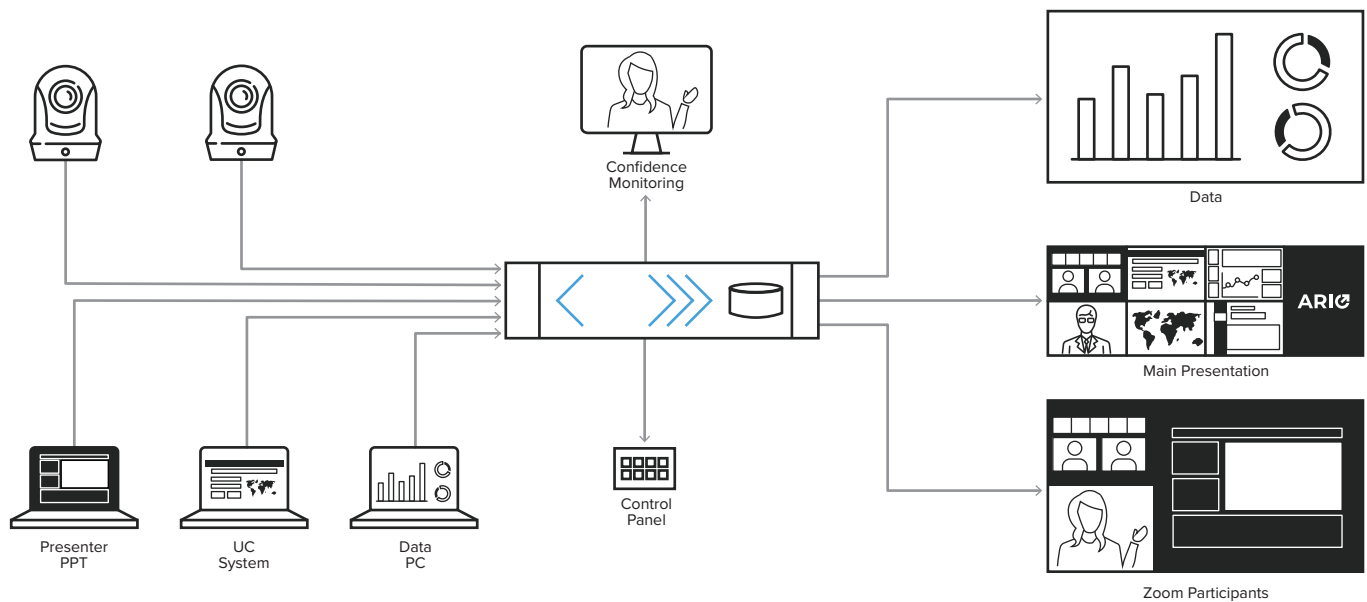
Map complex LED setups with ease.

DELIVER QUALITY IN QUANTITY

Use **CALICO PRO** for pixel precision in all your medium and large installations

CORPORATE
LIVE EVENTS
STADIUMS & ARENAS
HIGHER EDUCATION
PUBLIC VENUES
BROADCAST
CONTROL ROOMS





CORPORATE



CALICO PRO is the perfect solution to boost collaboration and information sharing in your corporate environments. 4K clarity, 24/7 reliability, endless video windows and compatibility with any LED wall, projector or display help you boost productivity and reduce display costs.

LEARN MORE

IN ROOM. ONLINE. BE THERE.

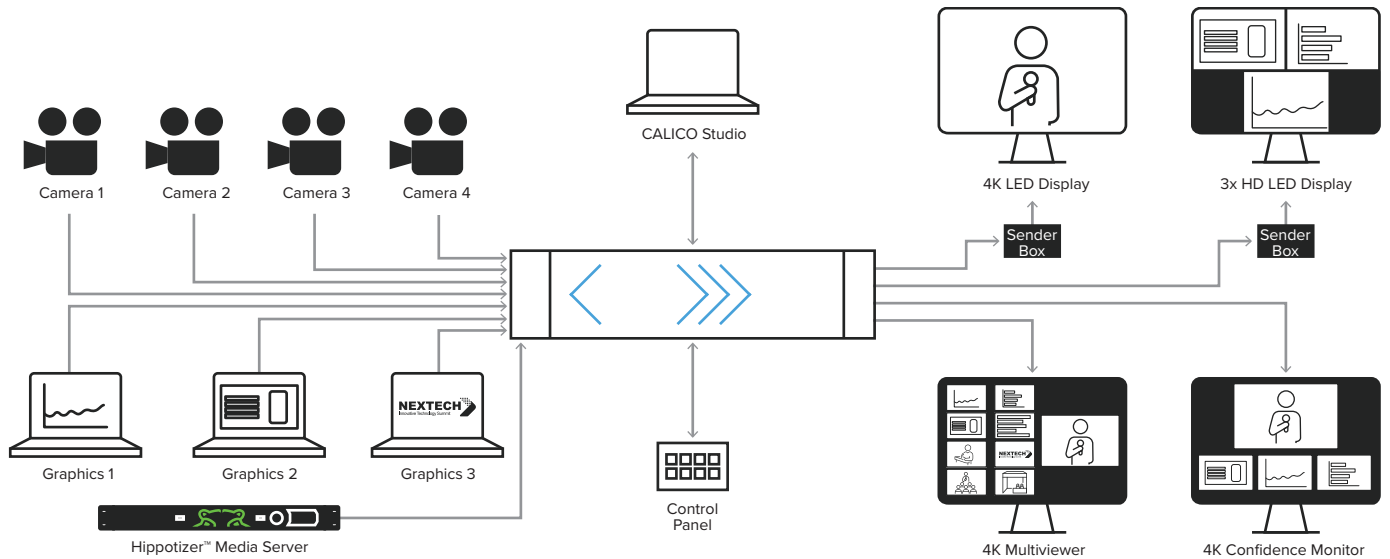
Collaborative visual engagements in your boardroom.

Download the blog



LIVE EVENTS

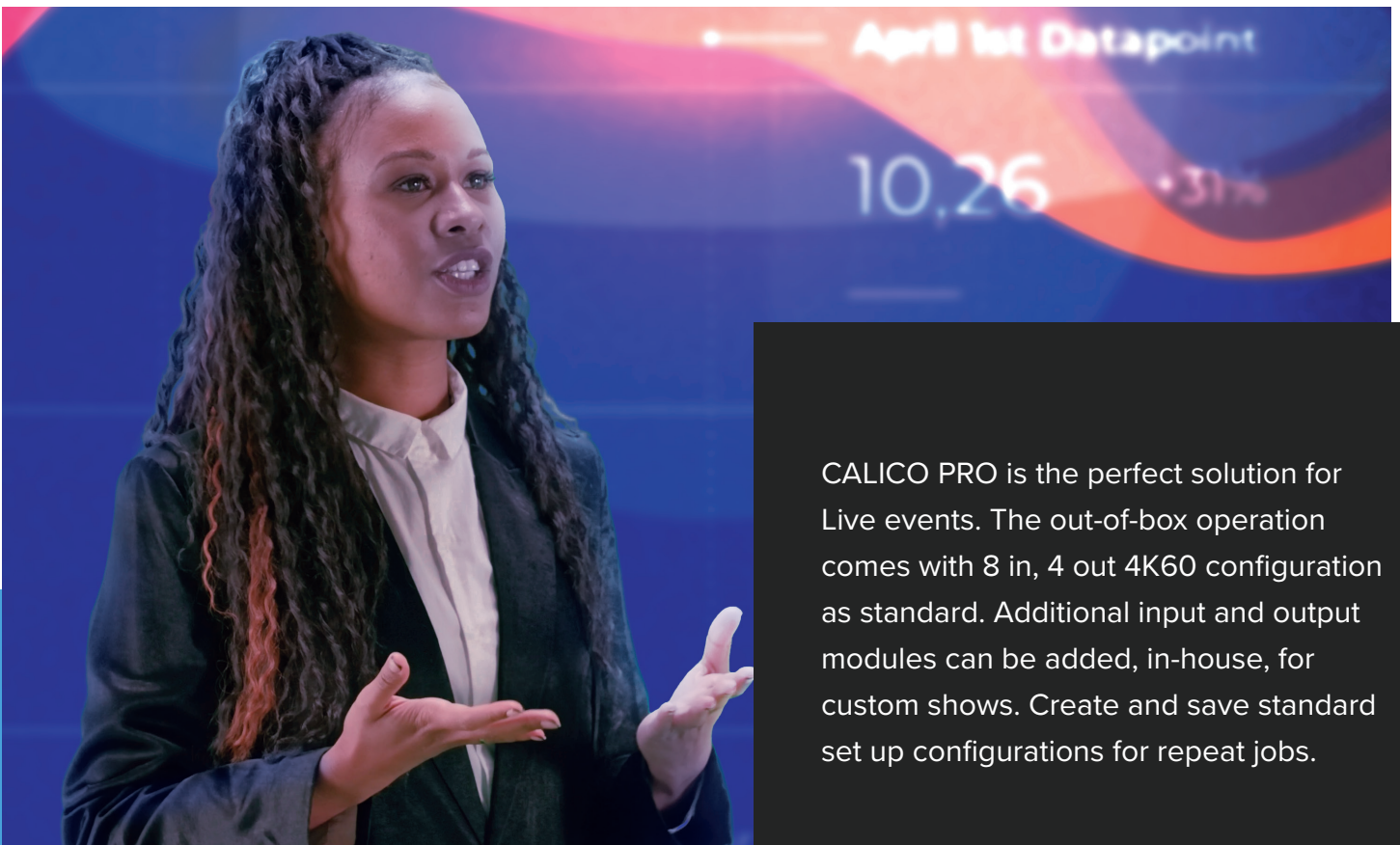
Dress to impress! Live events require low latency, unsurpassed image quality and rock-solid performance. CALICO PRO ensures that you typically never have more than one frame delay – no matter how complex your set-up.



LEARN MORE

Collaborative visual engagements in your workplace.
Download the blog





CALICO PRO is the perfect solution for Live events. The out-of-box operation comes with 8 in, 4 out 4K60 configuration as standard. Additional input and output modules can be added, in-house, for custom shows. Create and save standard set up configurations for repeat jobs.

STADIUMS & ARENAS

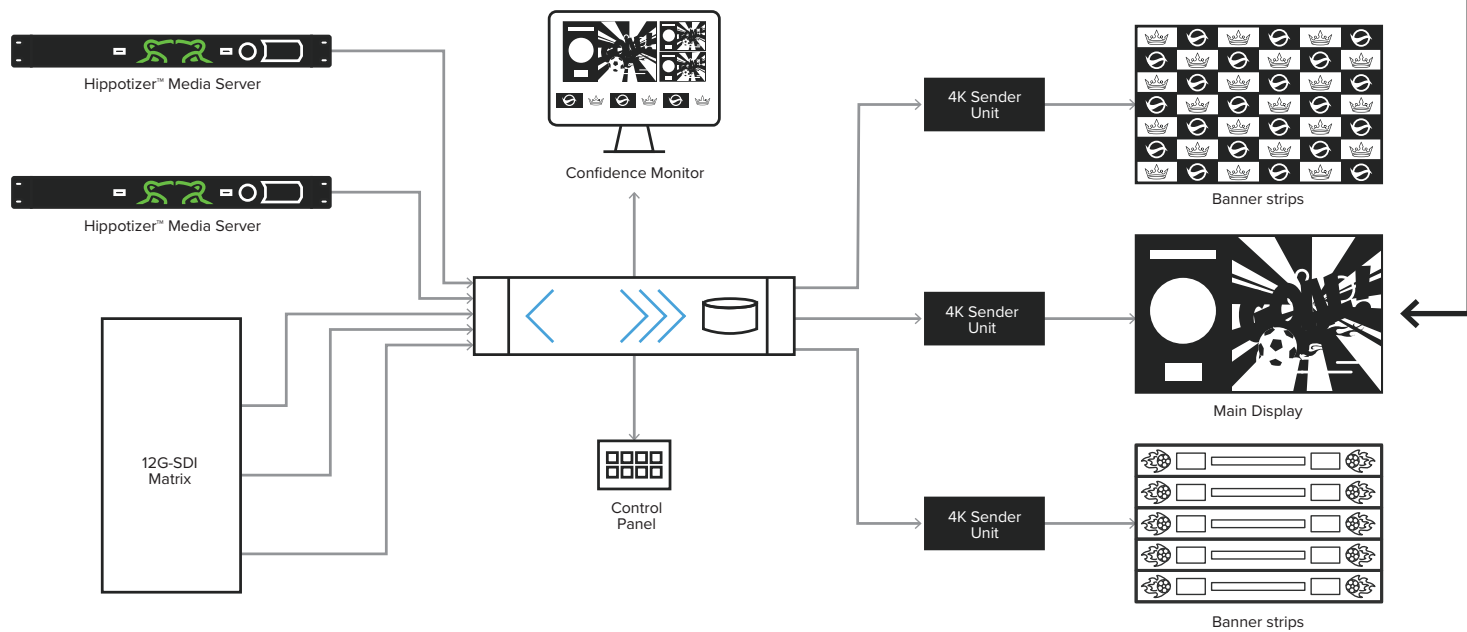


LEARN MORE

Capture the imagination of your audience.
[Download the blog](#)

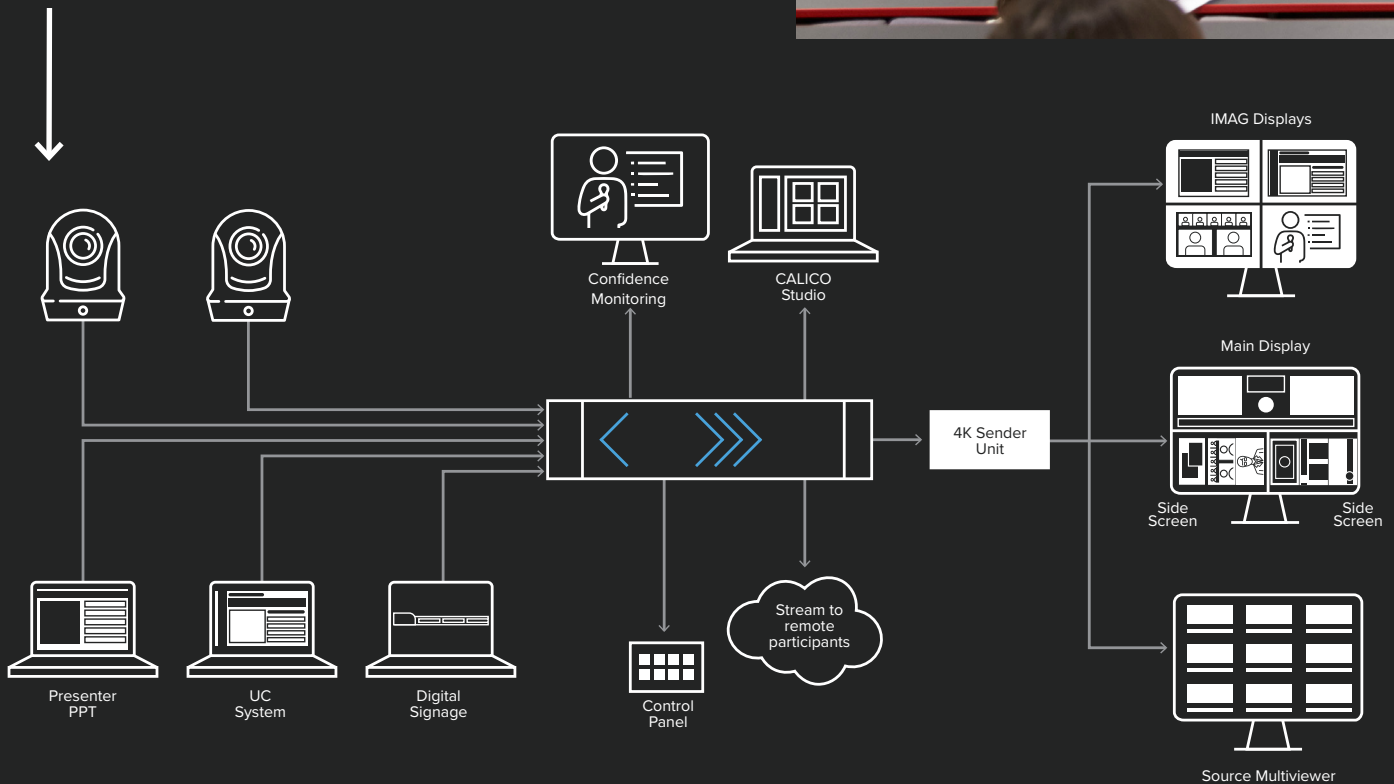


Visual experiences capture the imagination of your audience. Go beyond a simple video wall to create a WOW factor, with large scale LED using the range of CALICO tools including multiple windows, keying and eye-catching transitions. If you can imagine it, we can deliver it!



HIGHER EDUCATION

CALICO PRO is the perfect solution to create highly engaging educational experiences by boosting learning outcomes, team collaboration and information sharing. 4K clarity, 24/7 reliability, endless video windows and compatibility with any LED wall or edge blended projection help you increase overall engagement.



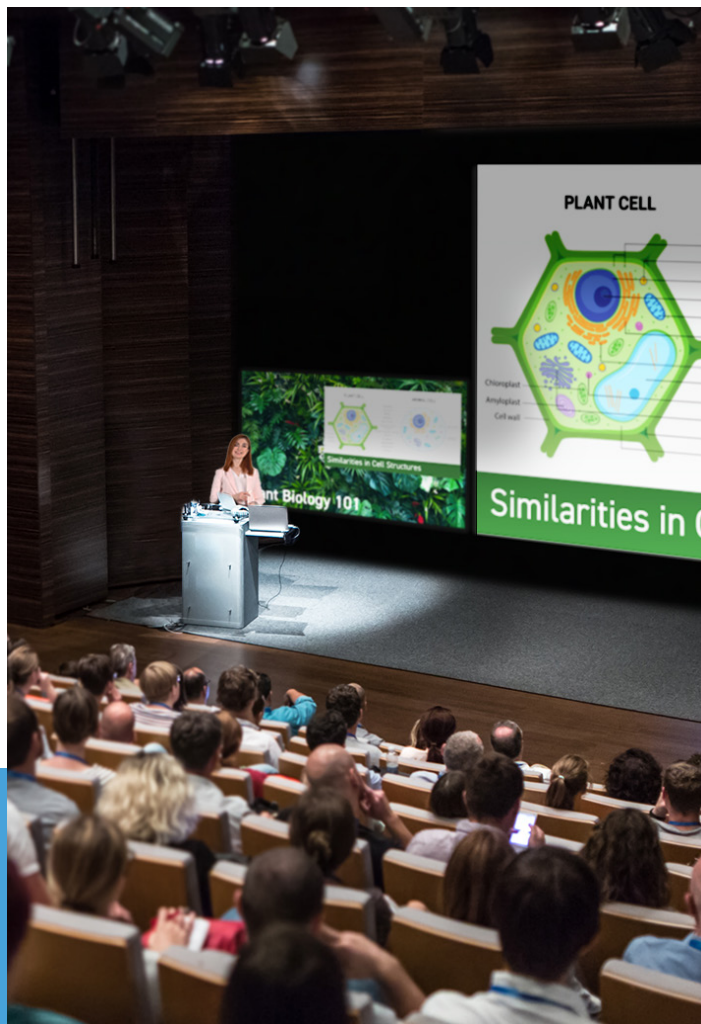
LEARN MORE

IN ROOM. ONLINE. BE THERE.

Collaborative visual engagements in your workplace.

Download the blog

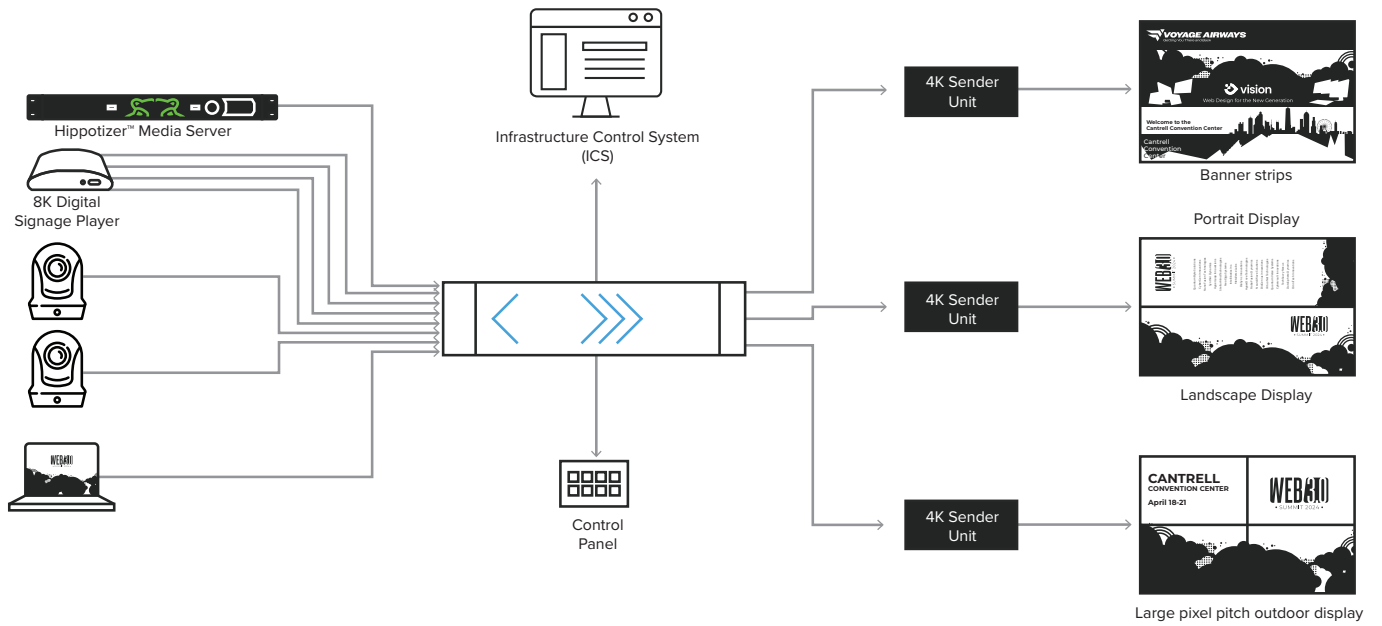




PUBLIC VENUES

Use CALICO PRO to power your creativity using our 8K image quality and interactive control to create visually engaging experiences every time. Your favorite layouts can be saved for instant recall and then brought to life with eye-catching transitions and keyed layers to add branding or additional information.





LEARN MORE

Power your creativity and create visually engaging experiences in any environment.

[Download the blog](#)

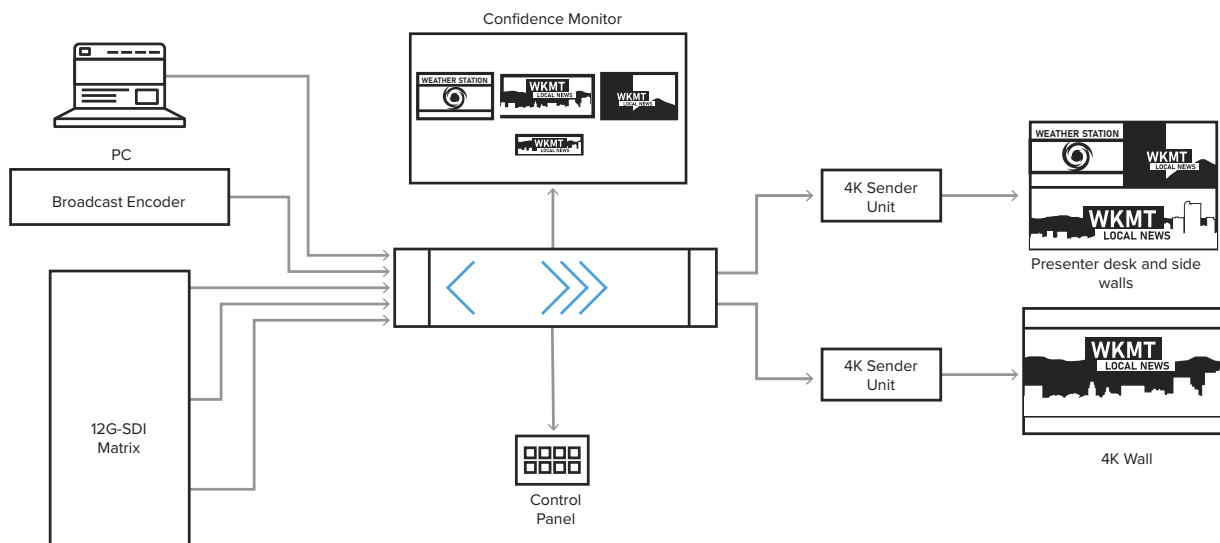






BROADCAST

CALICO PRO is set to be the first-choice video processor for broadcasters. Stunning 4K pixel accurate scaling, multi-windowing, eye-catching transitions, and 24/7 reliability come as standard. Using CALICO Studio, our easy-to-use design software, your set designers are equipped with a creative tool to make any station stand out from the competition.



LEARN MORE

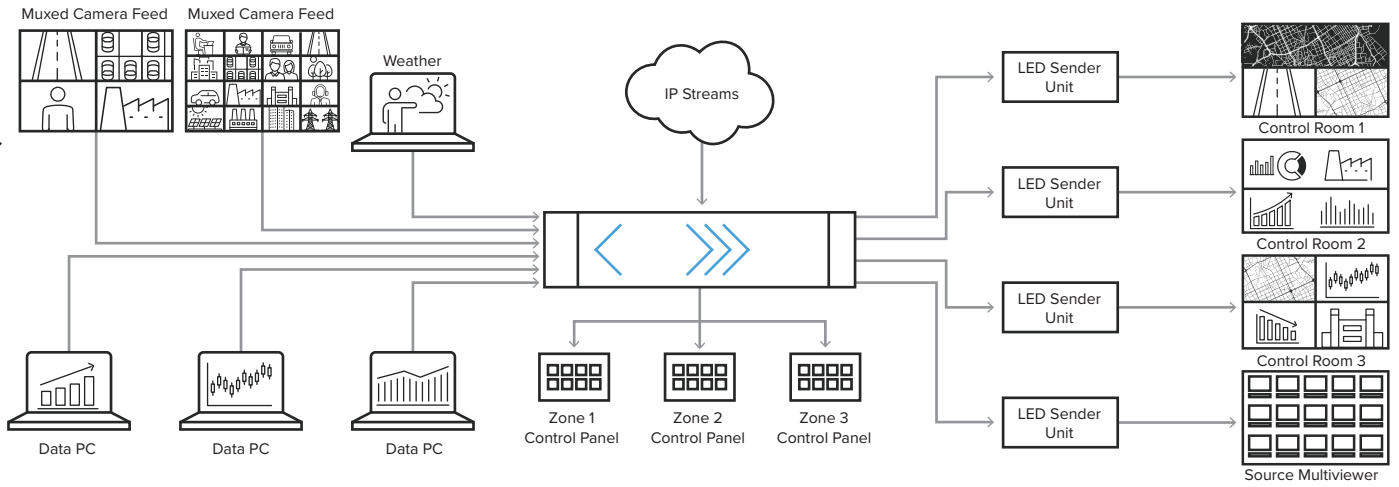
Engage and inform your viewers with a next-gen TV studio
Download the blog.



CONTROL ROOMS

CALICO PRO, featuring secure and real-time capabilities, is set for deployment in critical control room settings across government agencies as well as emergency operation centers. Utilizing CALICO PRO, teams in control rooms can promptly access information simultaneously, enabling quicker decision-making processes.





LEARN MORE

Next-level monitoring and control enables faster decision making and increased collaboration.

[Download the blog](#)





CUSTOM AND OEM PRODUCTS

If your company has a unique application that could benefit from CALICO technology, we are experienced in providing custom products. Please contact us for more information and to discuss your requirements.

WANT TO KNOW MORE?

To discuss CALICO for any of your future installations, please contact your regional sales manager. Get in touch today!

sales@tvone.com | sales.europe@tvone.com | www.tvone.com